

R5 Draw Latch

Concealed - Mortise / side mount

Features

- High tensile load
- Consistent pull-up
- Concealed installation

Accessories

- Actuation tool: 29-0059-02

Notes

- Install assembly with $\varnothing 6$ rivets or M6 screws (not supplied)

Material

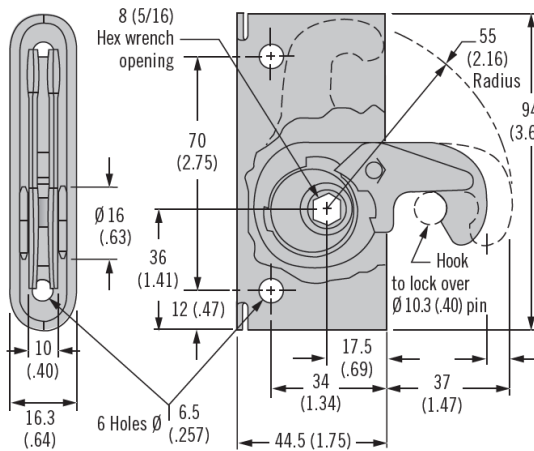
- Steel, zinc plated

Product Performance

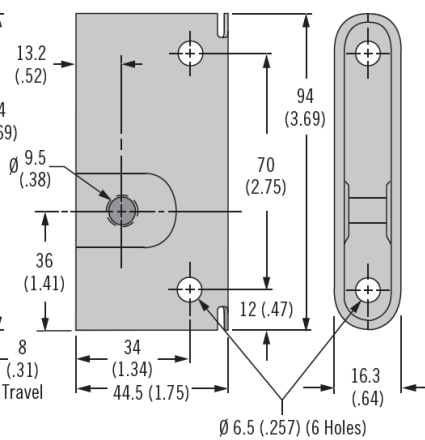
- Average ultimate tensile load: 11,100 N
- Average ultimate shear load: 76,920 N
- Operating force
 - To open: 4 N.m
 - To close: 4 N.m



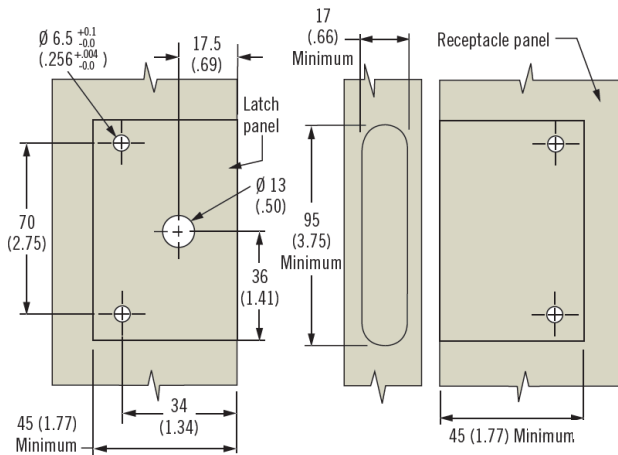
Latch



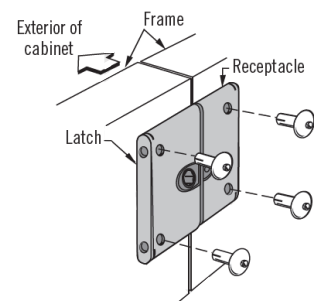
Receptacle



Recessed Pocket

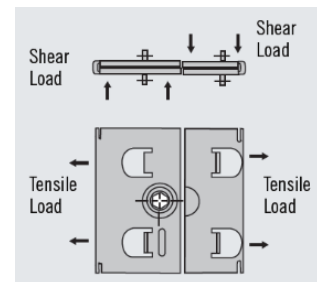
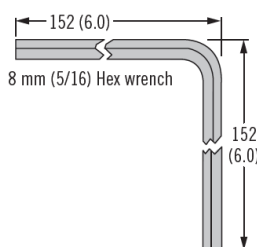


Side Mount



Accessories

Actuation Tool



Part Number	
Latch	Receptacle
R5-0074-07	R5-0079-07